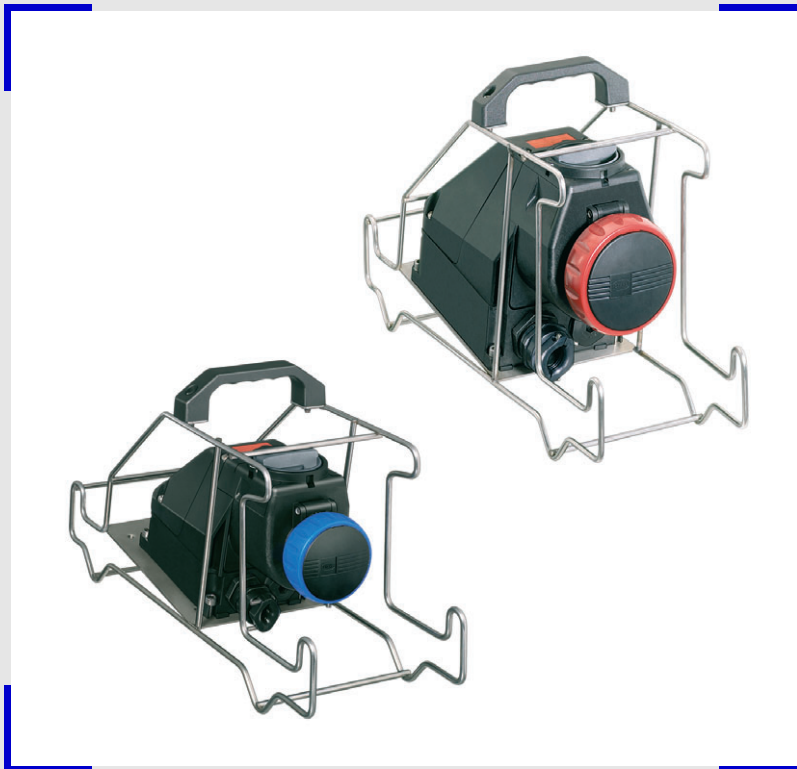


Coupler Sockets SolConeX

Series 8570/16, 8571/16



www.stahl.de



03346E00

- > Available versions
 - 16 A: 8570/16
 - 32 A: 8571/16
- > With integrated switch socket
- > Mounting frame in stainless steel with feet for free-standing installation
- > Large carrying handle

E3



Series 8570/16 and 8571/16 coupler sockets are designed for connection of portable and stationary electric equipment as well as for connection of cables and circuits in hazardous areas. Versions with 16 A and 32 A with different voltage ranges are available. The mounting frame in stainless steel and the large carrying handle allow easy transportation and flexible use.

	ATEX / IECEx					
Zone	0	1	2	20	21	22
For use in		x	x		x	x

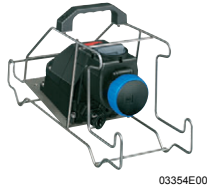






WebCode 8570B

Coupler Sockets SolConeX

Series 8570/16, 8571/16



Selection Table

Version	No. of poles	Voltage [V]	Colour code	Frequency Hz	h	Order number	Weight kg
Coupler socket 16 A 	 3 P (2 P + PE) <small>06190E00</small>	100 ... 130	yellow	50/60	4	8570/16-304	2.100
		200 ... 250	blue	50/60	6	8570/16-306	2.100
	 4 P (3 P + PE) <small>06556E00</small>	200 ... 250	blue	50/60	9	8570/16-409	2.350
		380 ... 415	red	50/60	6	8570/16-406	2.350
		480 ... 500	black	50/60	7	8570/16-407	2.350
		600 ... 690	black	50/60	5	8570/16-405	2.350
	 5 P (3 P + N + PE) <small>06555E00</small>	200 / 346 ... 240 / 415	red	50/60	6	8570/16-506	2.450
		277 / 480 ... 288 / 500	black	50/60	7	8570/16-507	2.450
		347 / 600 ... 400 / 690	black	50/60	5	8570/16-505	2.450
		Coupler socket 32 A 	 4 P (3 P + PE) <small>06556E00</small>	200 ... 250	blue	50/60	9
380 ... 415	red			50/60	6	8571/16-406	3.100
480 ... 500	black			50/60	7	8571/16-407	3.100
600 ... 690	black			50/60	5	8571/16-405	3.100
 5 P (3 P + N + PE) <small>06555E00</small>	200 / 346 ... 240 / 415		red	50/60	6	8571/16-506	3.350
	277 / 480 ... 288 / 500		black	50/60	7	8571/16-507	3.350
		347 / 600 ... 400 / 690	black	50/60	5	8571/16-505	3.350
Note	Further voltages and frequencies on request						

Coupler Sockets SolConeX

Series 8570/16, 8571/16



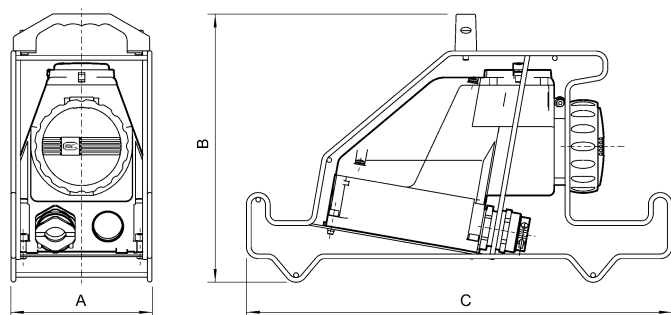
Explosion Protection

Version	Coupler socket 8570/16	Coupler socket 8571/16
Explosion Protection Global (IECEX) Gas and dust	IECEX PTB 05.0023 Ex de IIC T6 (Ta = - 30 ... + 55°C) Ex tD A21 IP66 T80°C (Ta = - 30 ... + 55°C)	IECEX PTB 05.0024 Ex de IIC T6 (Ta = - 30 ... + 55°C) Ex tD A21 IP66 T75°C (Ta = - 30 ... + 55°C)
Europe (ATEX) Gas and dust	PTB 03 ATEX 1227 ⊕ Ex de IIC T6 (Ta = -30 ... +55°C)	PTB 04 ATEX 1060 ⊕ II 2 G Ex de IIC T6 (Ta = - 30 ... + 55°C)
Certificates and approvals Certificates	IECEX, ATEX	IECEX, ATEX

Technical Data

Version	Coupler socket 8570/16	Coupler socket 8571/16
Electrical data		
Rated operational voltage	max. 690 V	max. 690 V
Rated operational current	16 A	32 A
No. of poles	2 P + \downarrow , 3 P + \downarrow , 3 P + N + \downarrow	3 P + \downarrow , 3 P + N + \downarrow
Ambient conditions Ambient temperature	see Explosion protection data - 50 °C on request (internal lubrication using silicone grease)	
Mechanical data Material		
Enclosure material	Polyamide	
Mounting frame	Stainless steel	
Mounting / installation		
Cable entry	13 ... 18 mm cable diameter	18 ... 25 mm cable diameter
Note		
Further technical data	see SolConeX socket 8570/11	see SolConeX socket 8571/11

Dimensional Drawings (All Dimensions in mm) - Subject to Alterations



Type	A	B	C
8570/16 (16 A)	149	249	415
8571/16 (32 A)	149	284	450

857./16-... Coupler socket

We reserve the right to make alterations to the technical data, dimensions, weights, designs and products available without notice. The illustrations cannot be considered binding.